

## Compact Force Gauge<sup>+</sup> (CFG<sup>+</sup>)

- **Accuracy**  $\pm 0.5\%$  of full scale
- **Peak hold** in tension and compression
- **Selectable units of measurement**  
N, mN, lbf, ozf, kgf and gf
- **RS232** for easy data transmission
- **Lightweight** plastic case
- **Overload** warning
- **Auto-off** function

The CFG<sup>+</sup> digital force gauge provides an economical solution for simple tension and compression testing. Powered by AA batteries, the CFG<sup>+</sup> can be used handheld or fixed to a manual or motorized test stand.

A simple digital alternative to traditional analogue spring gauges, the CFG<sup>+</sup> is ideal for users with a limited budget, who only measure on an occasional basis for non-critical applications.

The CFG<sup>+</sup> is available in 3 models - 11 lbf, 44 lbf and 110 lbf (50 N, 200 N and 500 N) - and comes complete with a set of accessories.



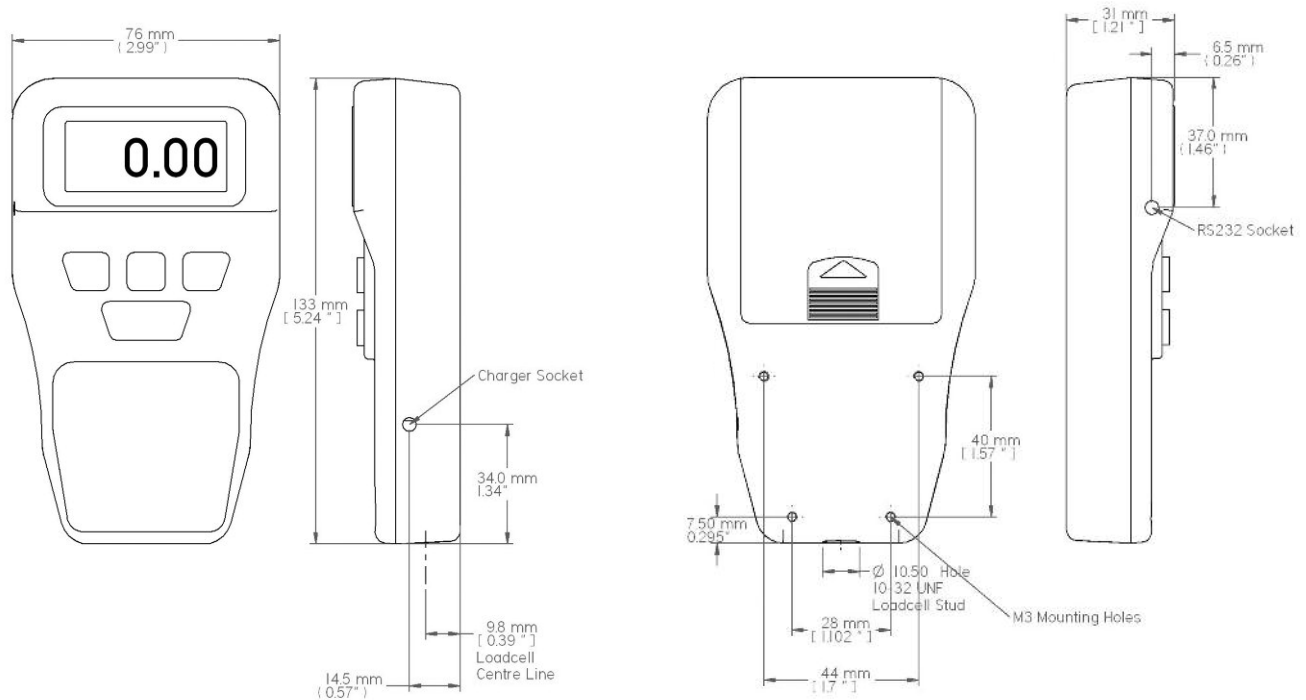
CFG<sup>+</sup> Accessories

cost-effective  
easy-to-use  
durable



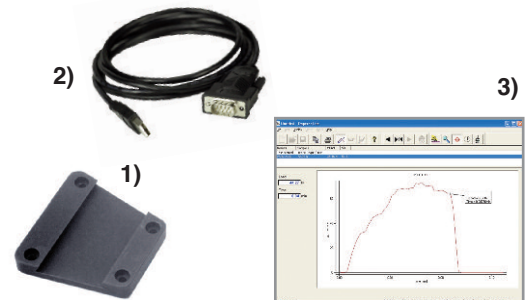
Tensile Test on Drawer

## Dimensions



## Optional Extras

- CFG<sup>+</sup> Mounting Plate**  
Connect your CFG<sup>+</sup> to a Mecmesin test stand for a complete test system
- Cable CFG<sup>+</sup> to USB**  
Connect your CFG<sup>+</sup> to a peripheral device e.g. PC for easy data transmission of test results
- Emperor™ Lite**  
Expand the functionality of the CFG<sup>+</sup> with Emperor™ Lite data acquisition and plotting software. Analyze test results and view data in graphical format



## Specifications

Model No.	Part No.	Capacity x Resolution		
		N	kgf	lbf
CFG <sup>+</sup> 50	860 - 021	50 x 0.05	5 x 0.005	11 x 0.01
CFG <sup>+</sup> 200	860 - 022	200 x 0.2	20 x 0.02	44 x 0.05
CFG <sup>+</sup> 500	860 - 023	500 x 0.5	50 x 0.05	110 x 0.1

Accuracy  $\pm 0.5\%$  of full scale

**Note:** The following units are available on the majority of CFG<sup>+</sup> models. Those that differ are marked by an asterisk with details given: kN\*, N, mN, kgf, gf\*\*, lbf, ozf.

\* Not available on the CFG<sup>+</sup> 50 N    \*\* Not available on the CFG<sup>+</sup> 200 N or 500 N

Mecmesin reserves the right to alter equipment specifications without prior notice

### North America

#### Mecmesin Corporation

45921 Maries Road, Suite 120,  
Sterling, Virginia 20166, U.S.A

e: info@mecmesincorp.com  
t: 703 433 9247 f: 703 444 9860

www.mecmesincorp.com

datasheet ref: 431-375-02-L01