

## ValuTest-D

### Manual Test Stand

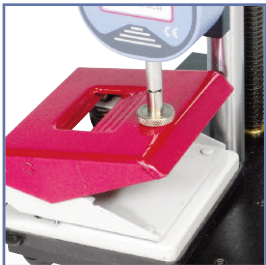
- 220 lbf (1 kN) capacity
- Easy-to-use
- Handwheel operation
- Economical solution
- Compact and portable
- Rugged and reliable



Compressive testing



Snap-cap testing



Tool testing



Compressing a pen



Shown with CFG<sup>+</sup> (not supplied) digital force gauge  
(Can also be supplied with BFG digital force gauge)

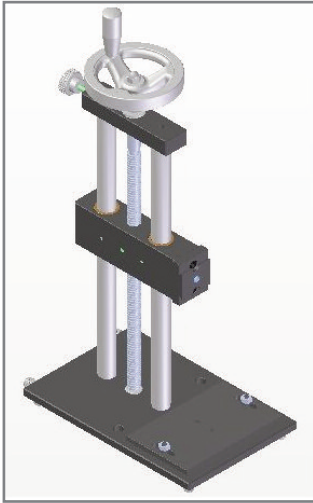
The ValuTest-D, combined with a Mecmesin Basic Force Gauge (BFG) or Compact Force Gauge<sup>+</sup> (CFG<sup>+</sup>), is a simple and low-cost solution for tensile or compression testing applications.

It is an ideal solution for pull-off, push-in and push-out tests where quick comparative checks are required in the laboratory or in the production area.

Easy-to-use, the ValuTest-D is operated via a handwheel, which gives precise control of the crosshead for applying forces up to 220 lbf (1 kN).

versatile  
economical  
easy-to-use

## Stand/Force Gauge Combinations



ValuTest-D

+



Basic Force Gauge (BFG)

+



BFG Bracket

or

+



Compact Force Gauge+ (CFG+)

+

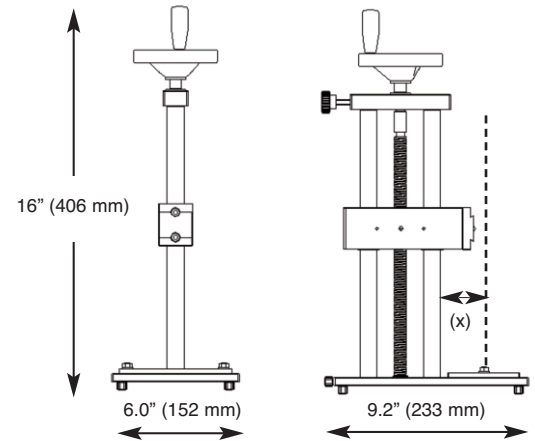


CFG+ Bracket

## Specifications

Daylight with BFG without accessories	9.7" (246 mm)
Daylight with CFG+ without accessories	10.2" (258 mm)
Effective travel without gauge and accessories	10.2" (258 mm)
Crosshead travel per handwheel revolution (both directions)	0.1" (3 mm)
Maximum load	220 lbf, 1000 N, 100 kgf
Weight	16 lbs (7.3 kg)
Throat depth with BFG fitted (x)	2.4" (62 mm)
Throat depth with CFG+ fitted (x)	2.1" (54.5 mm)

## Dimensions



Mecmesin reserves the right to alter equipment specifications without prior notice

### North America

#### Mecmesin Corporation

45921 Maries Road, Suite 120,  
Sterling, Virginia 20166, U.S.A

e: [info@mecmesincorp.com](mailto:info@mecmesincorp.com)

t: 703 433 9247 f: 703 444 9860

[www.mecmesincorp.com](http://www.mecmesincorp.com)

datasheet ref: 431-004-02-L01