

Low-Cost Analogue Force Gauges



- accuracy $\pm 2\%$ of full scale
- low-cost
- compact and lightweight
- push-pull (FD) & push only (DT) gauges
- peak hold readings

The FD and DT series of simple hand-held, push-pull and push-only gauges provide an affordable, quick and reliable means of measuring force in tension and compression from just 100 gram-force up to 30 kilogram-force.

The housing of these easy-to-use gauges is made from a lightweight plastic, ideal for storing in your toolkit. They come complete with a compression plate, extension rod and test hook (FD version only).

These low-cost analogue force gauges are used in a wide variety of tension and compression applications. For example, insertion testing of electronic components, testing the ripeness of fruit and testing tension belts in ATMs and vending machines.

simple
low-cost
easy-to-use

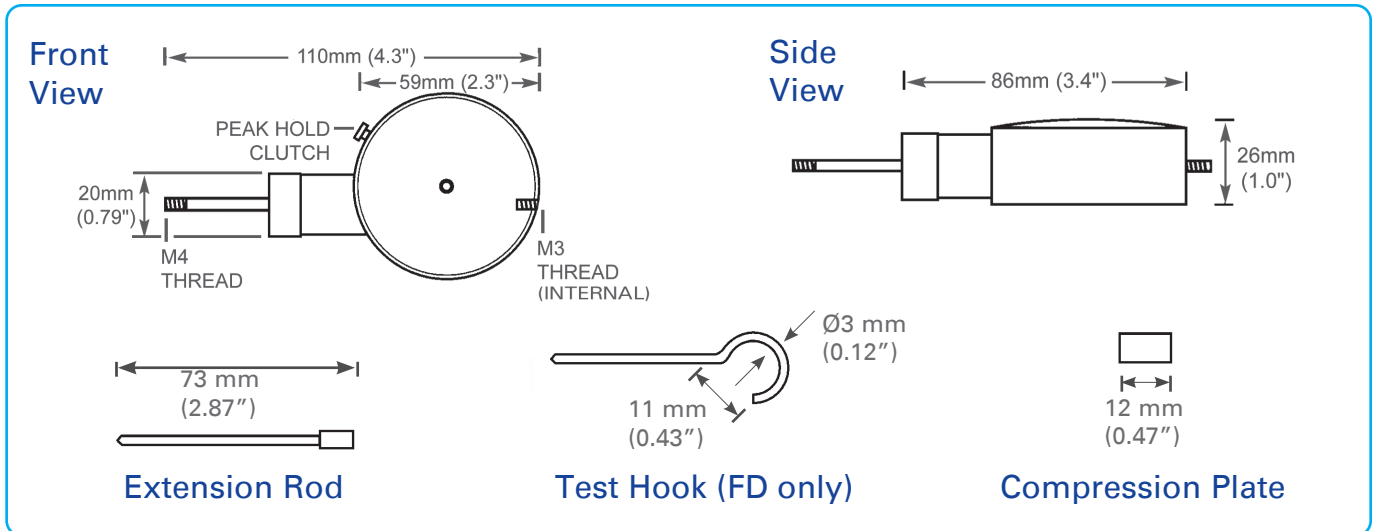


Insertion Testing



Ripeness Testing

Dimensions mm (inch)



Specifications

Model	Kilos	Graduation	Pounds	Graduation
Push-pull	Range		Range	
FD 101	100 gf - 1000 gf	10 gf	0.2 lbf - 2 lbf	0.02 lb
FD 102	0.25 kgf - 2.5 kgf	25 gf	0.5 lbf - 5 lbf	0.05 lb
FD 105	0.5 kgf - 5 kgf	50 gf	1 lbf - 10 lbf	0.10 lb
FD 110	1 kgf - 10 kgf	100 gf	2 lbf - 20 lbf	0.25 lb
FD 120	2 kgf - 20 kgf	200 gf	4 lbf - 40 lbf	0.50 lb
FD 130	3 kgf - 30 kgf	250 gf	6 lbf - 60 lbf	0.50 lb
Push only				
DT 101	100 gf - 1000 gf	10 gf	0.2 lbf - 2 lbf	0.02 lb
DT 102	0.25 kgf - 2.5 kgf	25 gf	0.5 lbf - 5 lbf	0.05 lb
DT 105	0.5 kgf - 5 kgf	50 gf	1 lbf - 10 lbf	0.10 lb
DT 110	1 kgf - 10 kgf	100 gf	2 lbf - 20 lbf	0.25 lb
DT 120	2 kgf - 20 kgf	200 gf	4 lbf - 40 lbf	0.50 lb
DT 130	3 kgf - 30 kgf	250 gf	6 lbf - 60 lbf	0.50 lb
Weight	76 g		2.7 oz	
Accuracy	±2% of full scale			
Calibration	Calibration Certificate available upon request			

Mecmesin reserves the right to alter equipment specifications without prior notice. E&OE.

+44 (0)1403 799979 | mecmesin.com | info@mecmesin.com